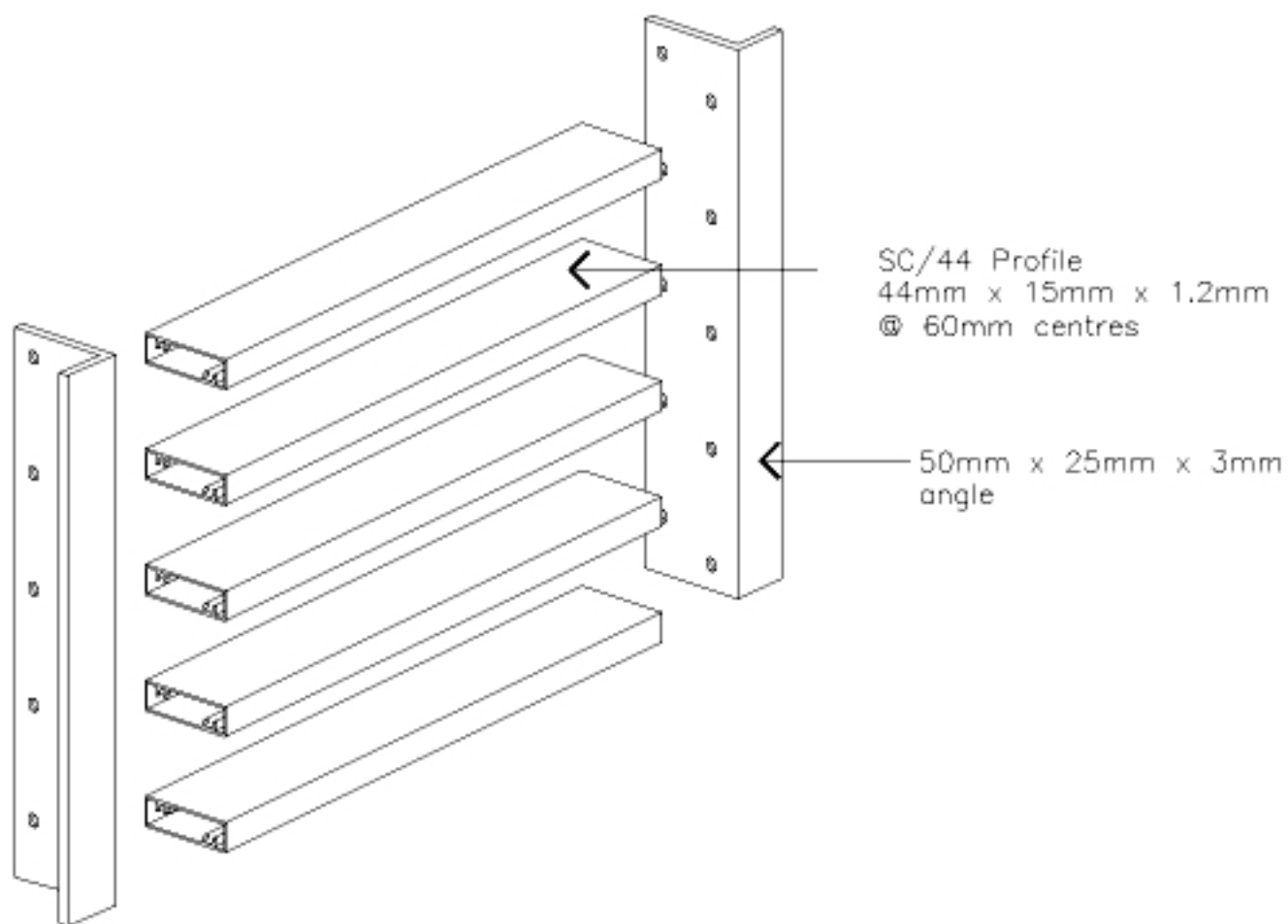


## 44mm Bar Blade in Angle Frame



NOTES : 20mm x 3mm stiffener every 1000mm